

K30A ALUMINUM WORM GEARBOXES

14mm Hollow Output



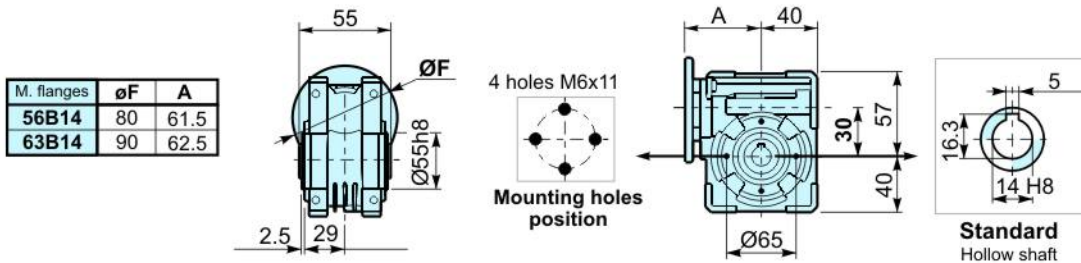
QUICK SELECTION - Input RPM 1750 * Available motor flanges



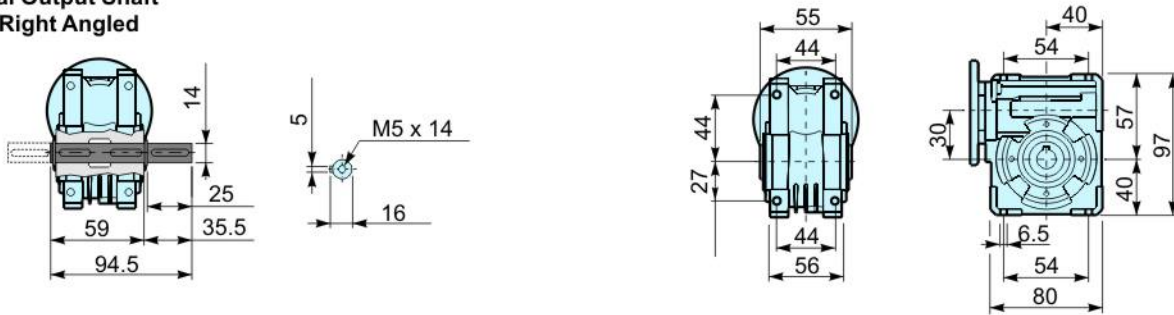
Type	Output Speed (RPM)	Ratio	Input HP	Output Torque [In.Lbs]	Service factor	Available B14 motor flanges		Type
						O	P	
						56	63	
K30A	350	5	0.24	35	4.0	*	*	K30A
	250	7	0.24	48	2.9	*	*	
	175	10	0.24	67	2.1	*	*	
	117	15	0.24	95	1.7	*	*	
	88	20	0.24	121	1.3	*	*	
	58	30	0.24	161	1.1	*	*	
	43.8	40	0.12	99	1.7	*	*	
	28.7	61	0.12	132	1.3	*	*	
	21.9	80	0.12	166	1.0	*	*	

Supplied with Reduction Bushing

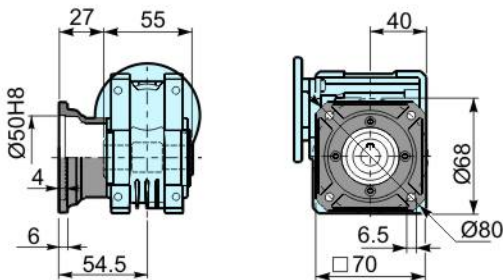
Standard hollow shaft dimensions (mm)



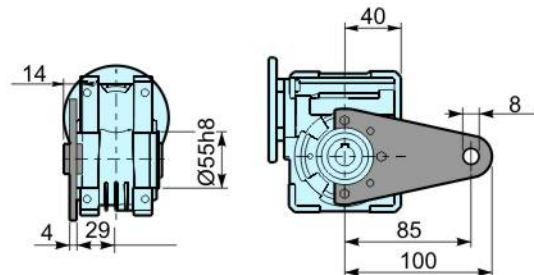
Optional Output Shaft Left or Right Angled



Square Output flange



Optional Torque arm



Wormbox weight	lb.
K30A	2.50

SIZE	BORE SIZE	INPUT FLANGE
K30A	14mm	56B14
K30A	14mm	63B14



GENERAL PURPOSE ALUMINUM MOTORS

Three Phase 208-230/460V IEC Design B, High Efficiency, TEFC, Class F Insulation, 40°C Ambient, Continuous Duty.



• 0.12HP
56B14

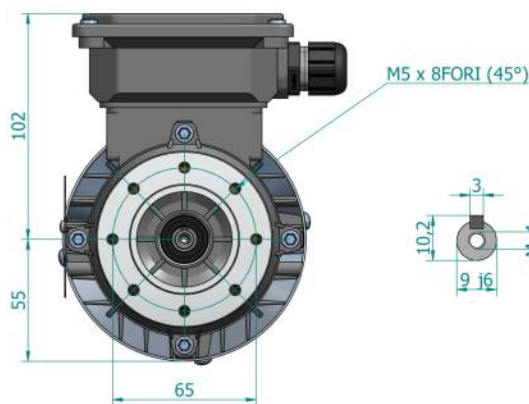
- Light Weight Aluminum Construction.
- **CSA , CE and UL. Certified**
- True Inverter Duty Wire Standard
4:1 Constant Torque
10:1 Variable Torque
- Finned Body design for cooler running temperatures.
- **Paint Free**
- Oversized Conduit Box complete with strain relief connector.
- Different Conduit Box options available upon request.



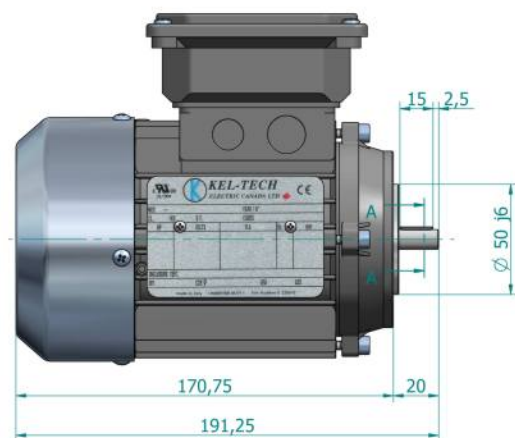
• 0.24HP
63B14

Three Phase

HP	RPM	B14 Frame	Model Number 208-230/460V
0.12	1750	56B14	AL094456B14
0.25	1750	63B14	AL184463B14



• 56B14 (mm)



<p>Double Lip Contact Seals</p> 	<p>Light Weight Fin Body Design for Cooler Running Temperatures</p> 	<p>Oversized Conduit Box Complete with Strain relief Connector</p> 
---	--	--