



KEL-TECH
ELECTRIC CANADA LTD 

Brakes for the Food Industry

Aqua-Stop Washdown Brakes

Double C Face Brakes for
Nema 56C-143/145TC

BISSC certified • Nema 4x • Ip56

Aqua-Stop “Plus” Specifications:

Torque: 1.5, 3, 6, 10, 15, 20 ft.lbs
Frame Sizes: 56C and 143/145TC

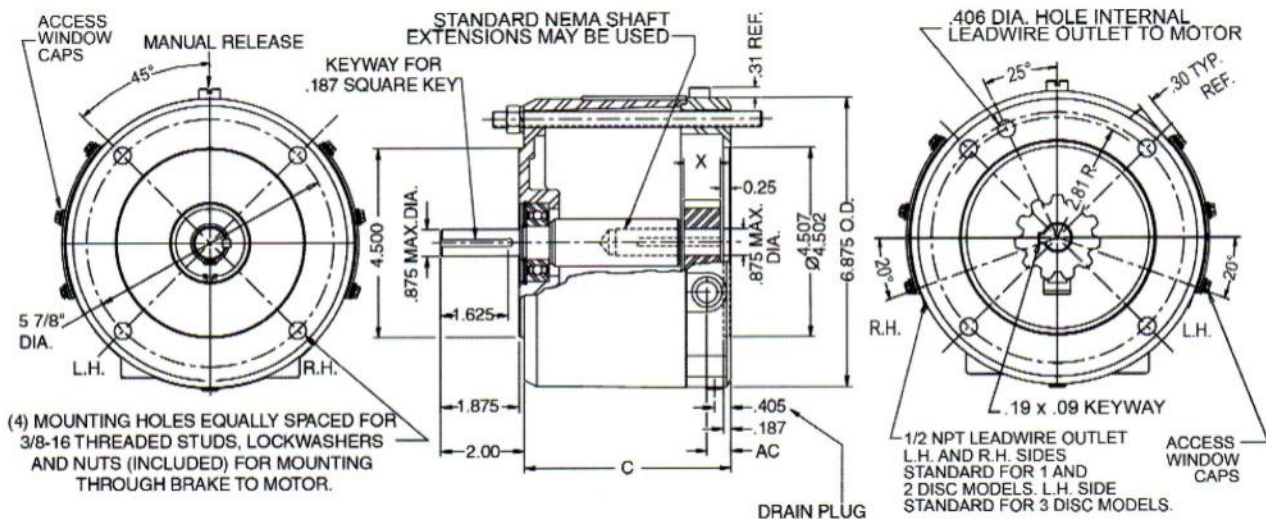
Maximum RPM: 3600

Available Voltages: 115-208-230V Single Phase 60Hz
208-230/460V or 575V Three Phase 60Hz
190/380VAC Three Phase 50Hz



Design Features:

- Specifically engineered for the food processing industry
- All Brake housings are made from **300 series Stainless Steel** for superior corrosion resistance.
- One moving part for long reliable life.
- Spring set, electrically released for ease of operation.



See Reverse for complete Dimension Print