

QUICK SELECTION - Input RPM 1750 * Available motor flanges

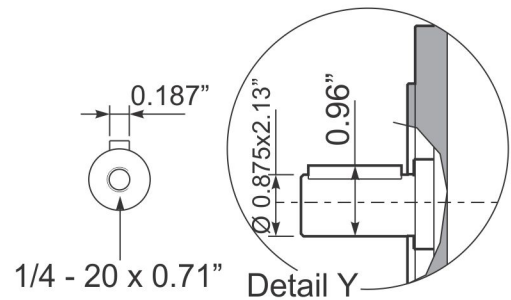
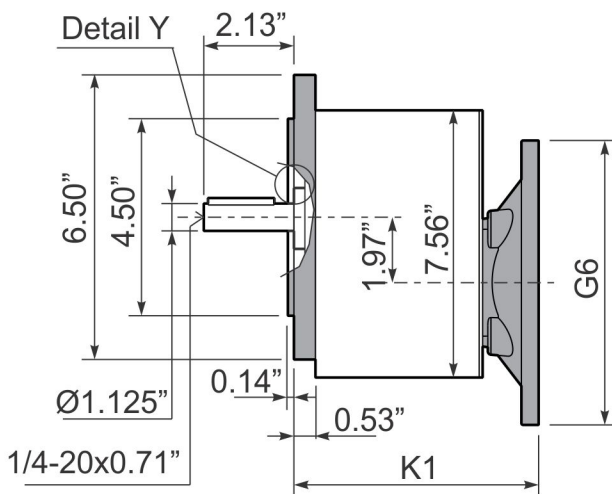
Type	Output Speed (RPM)	Ratio	Input HP	Output Torque [In.Lbs]	Service factor	Available NEMA motor flanges		Type
						X	Y	
						143/5TC	182/4TC	
5111	1346.2	1.30	3	138	1.4	*	*	5111
	714.3	2.45	3	259	1.3	*	*	
	528.3	3.31	3	351	1.3	*	*	
	406.3	4.31	2	304	1.8	*	*	
	331.9	5.27	2	372	1.5	*	*	
	229.5	7.63	1.5	404	1.3	*	*	
166.7	10.50	1	371	1.1	*	*		



The dynamic efficiency is **0.98** for all ratios

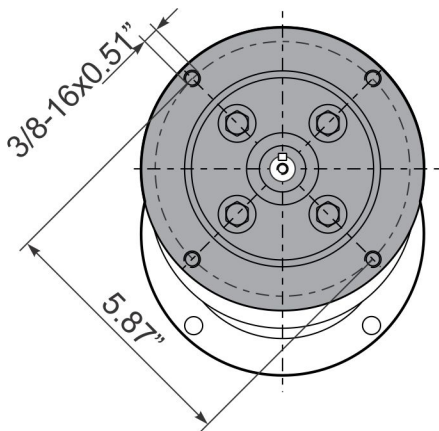
* Available upon request

Standard multiplier dimensions - INCH



Input flanges

G6	K1
6.50" (143/5TC)	6.18"
8.88" (182/4TC)	6.88"



Unit 5111 is supplied with synthetic oil for lifetime lubrication, no maintenance is necessary.

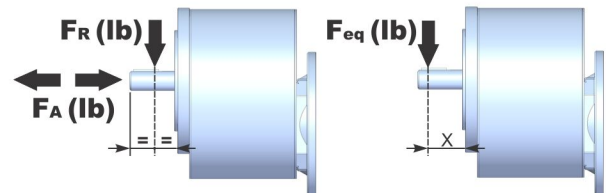
▪ Life lubrication - Fully synthetic oil

Mounting position to be specified - B6-B7-B8-V1-V3-V8

RADIAL AND AXIAL LOADS

Output shaft

$$F_{eq} = F_R \cdot \frac{1.88}{X+0.90}$$



RPM	FA	FR	RPM	FA	FR	RPM	FA	FR
700	66	330.3	400	83.1	415.6	200	103.3	516.7
600	71.9	359.5	300	89.9	449.3	140	114.6	572.9

Wormbox weight	Lbs
5111	26.4 lbs