



QUICK SELECTION - Input RPM 1750 * Available motor flanges

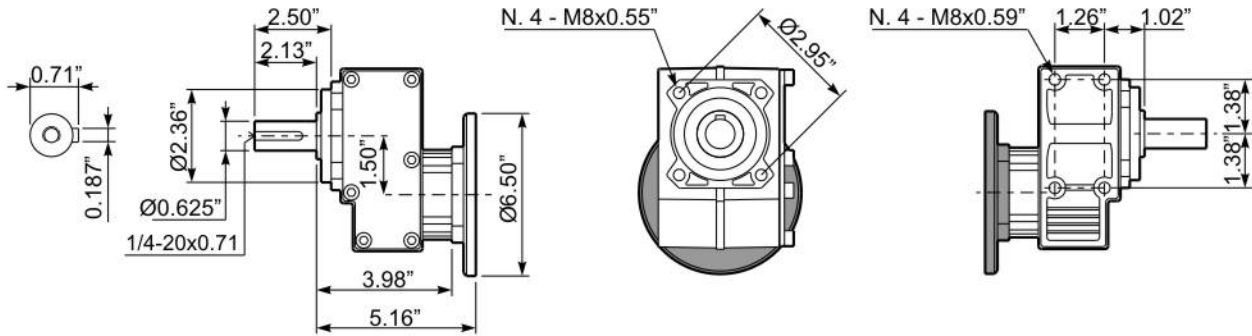
Type	Output Speed (RPM)	Ratio	Input HP	Output Torque [In.Lbs]	Service factor	Available NEMA motor flanges		Type
						W	X	
						56C	143/5TC	
411A	1113.6	1.57	1.5	83	1.2	*	☺	411A
	615.7	2.84	1.5	151	1.1	*	☺	
	531.3	3.29	1.5	174	1.1	*	☺	
	452.6	3.87	1.5	205	1.0	*	☺	
	379.2	4.62	1.5	244	1.0	*	☺	
	277.8	6.30	1	222	1.0	*	☺	
	212.8	8.22	0.50	145	1.3	*	☺	
	161.2	10.86	0.33	127	1.1	*	☺	



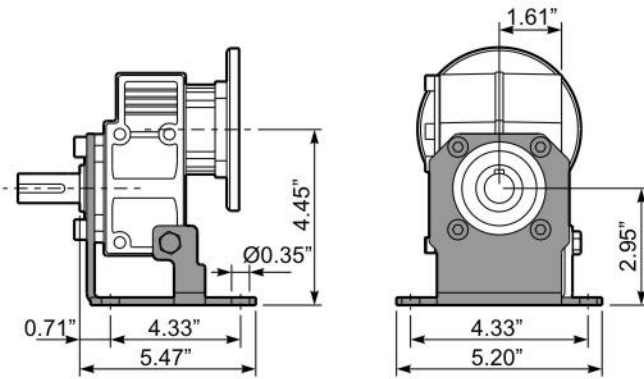
The dynamic efficiency is 0.98 for all ratios

☺ Supplied with Reduction Bushing

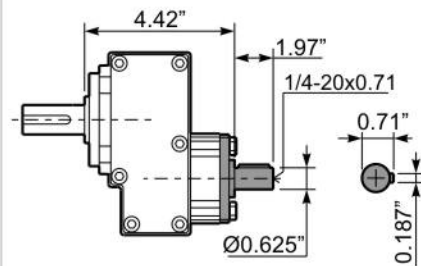
Standard multiplier dimensions - INCH



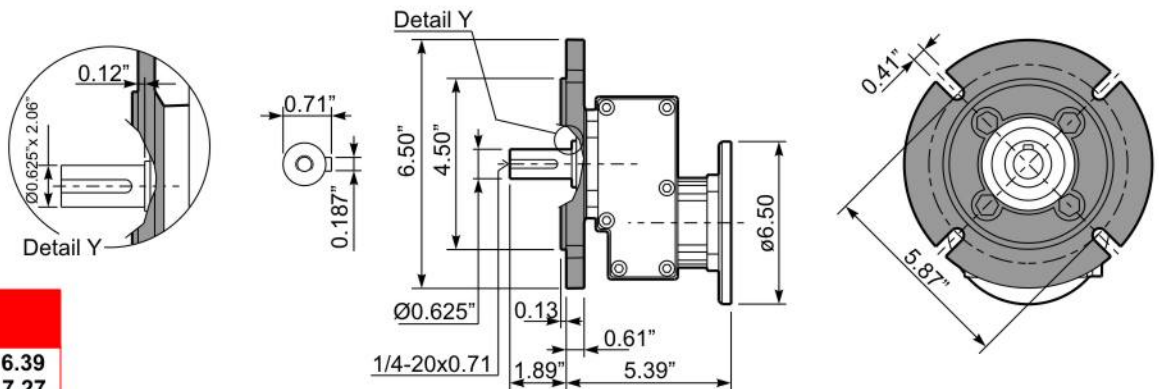
With Feet / Base



Input Shaft



Output Flange



Wormbox weight	Lb.
411A	Mold base 6.39 With flange 7.27

* Output shaft available in 7/8" and 3/4" upon request.